

EnGenius®

ENS610EXT-NVK



Username

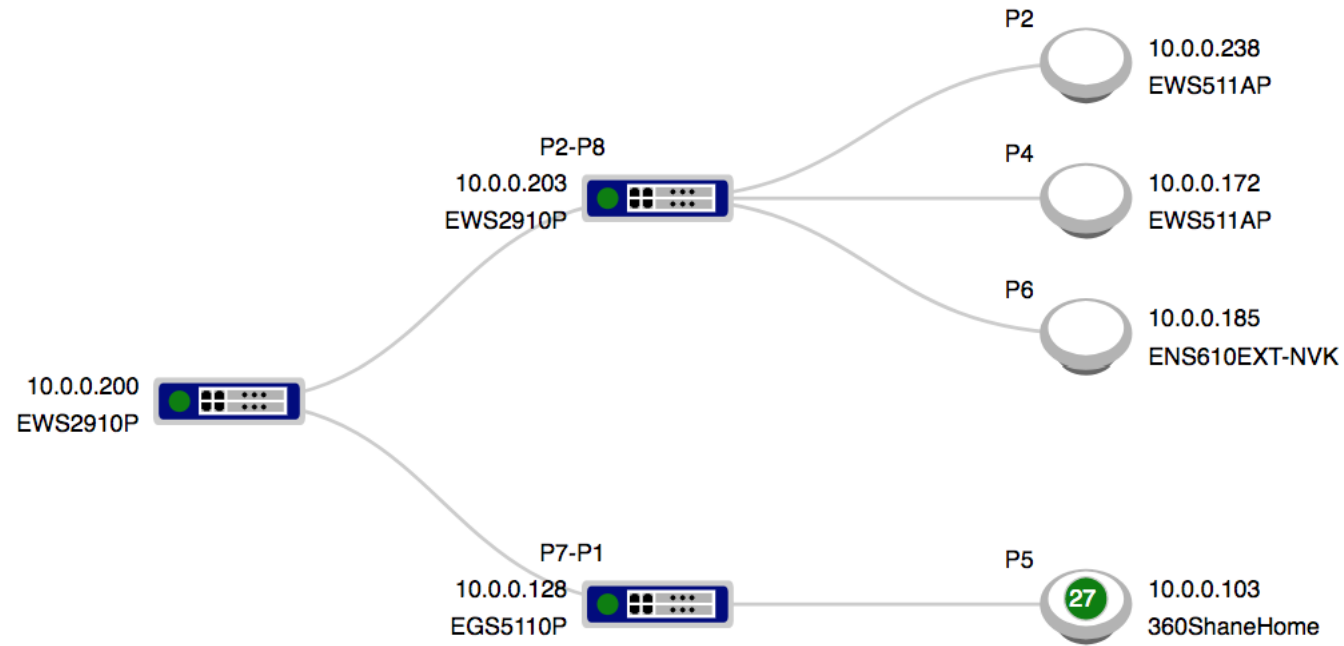


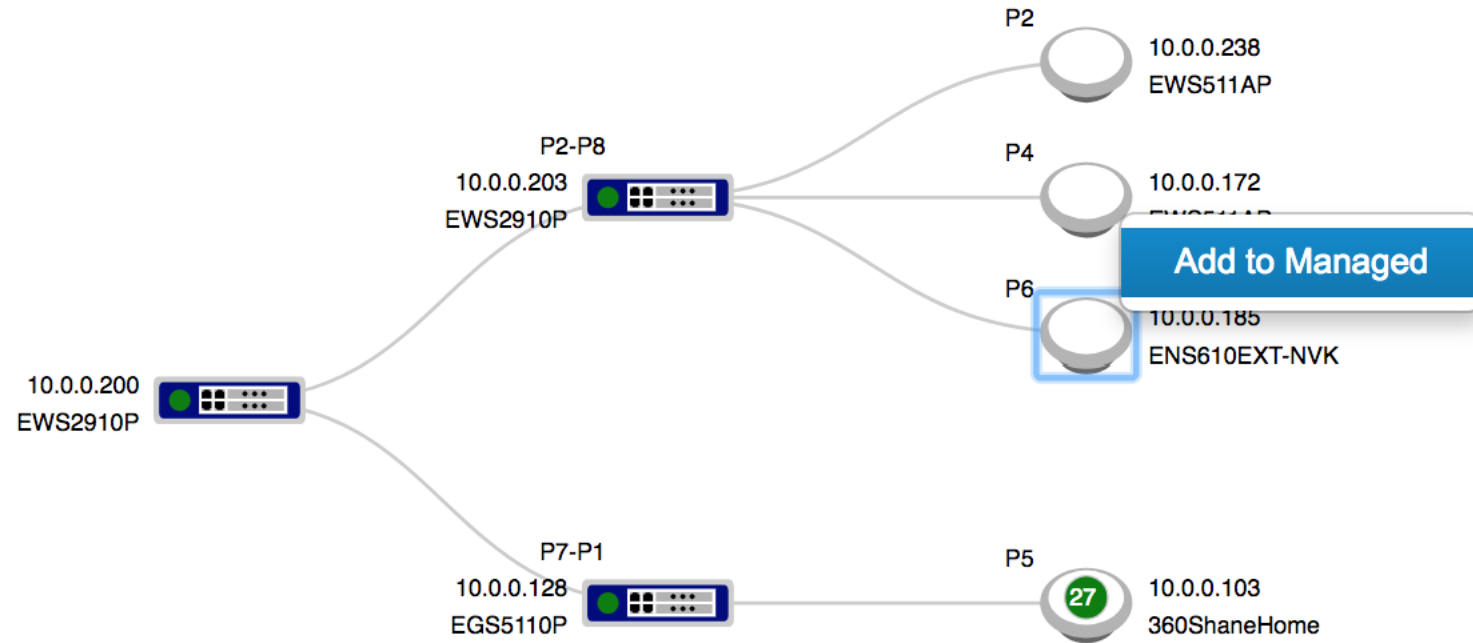
Password

Login

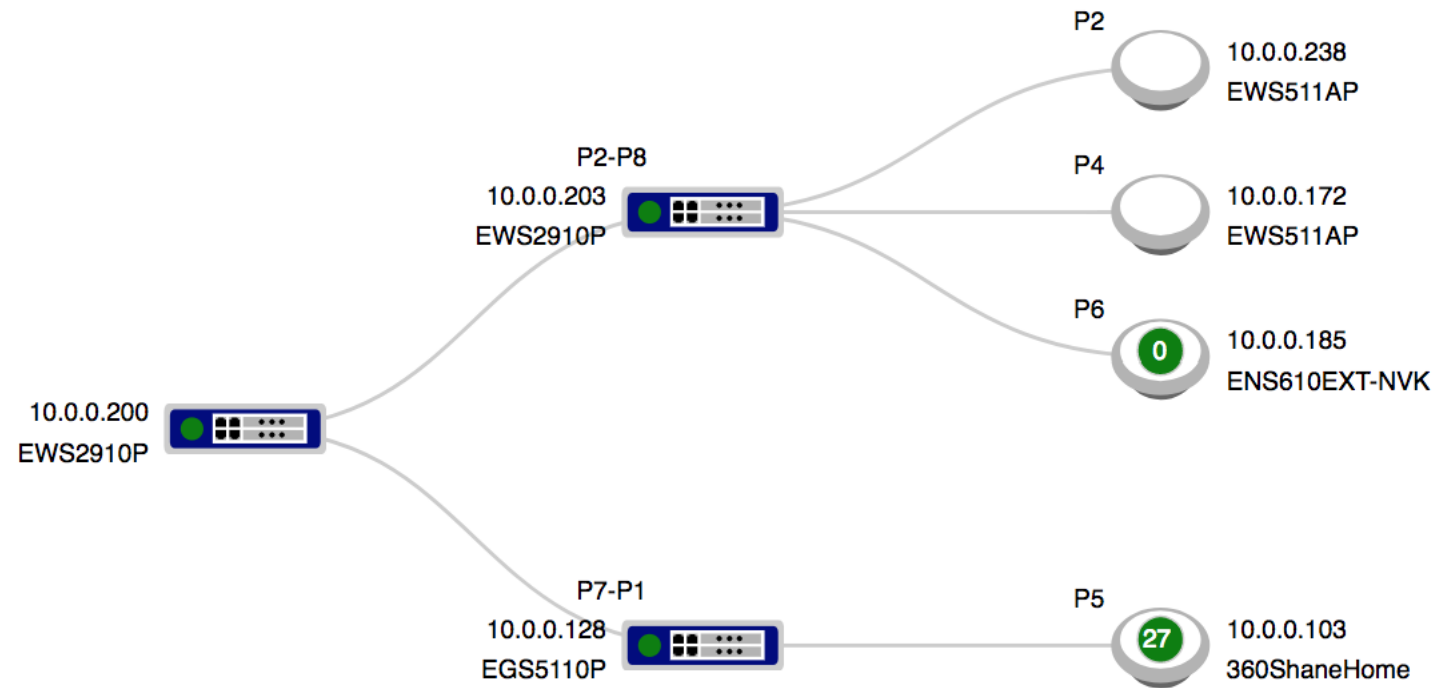
Copyright © 2017 EnGenius. All rights reserved.

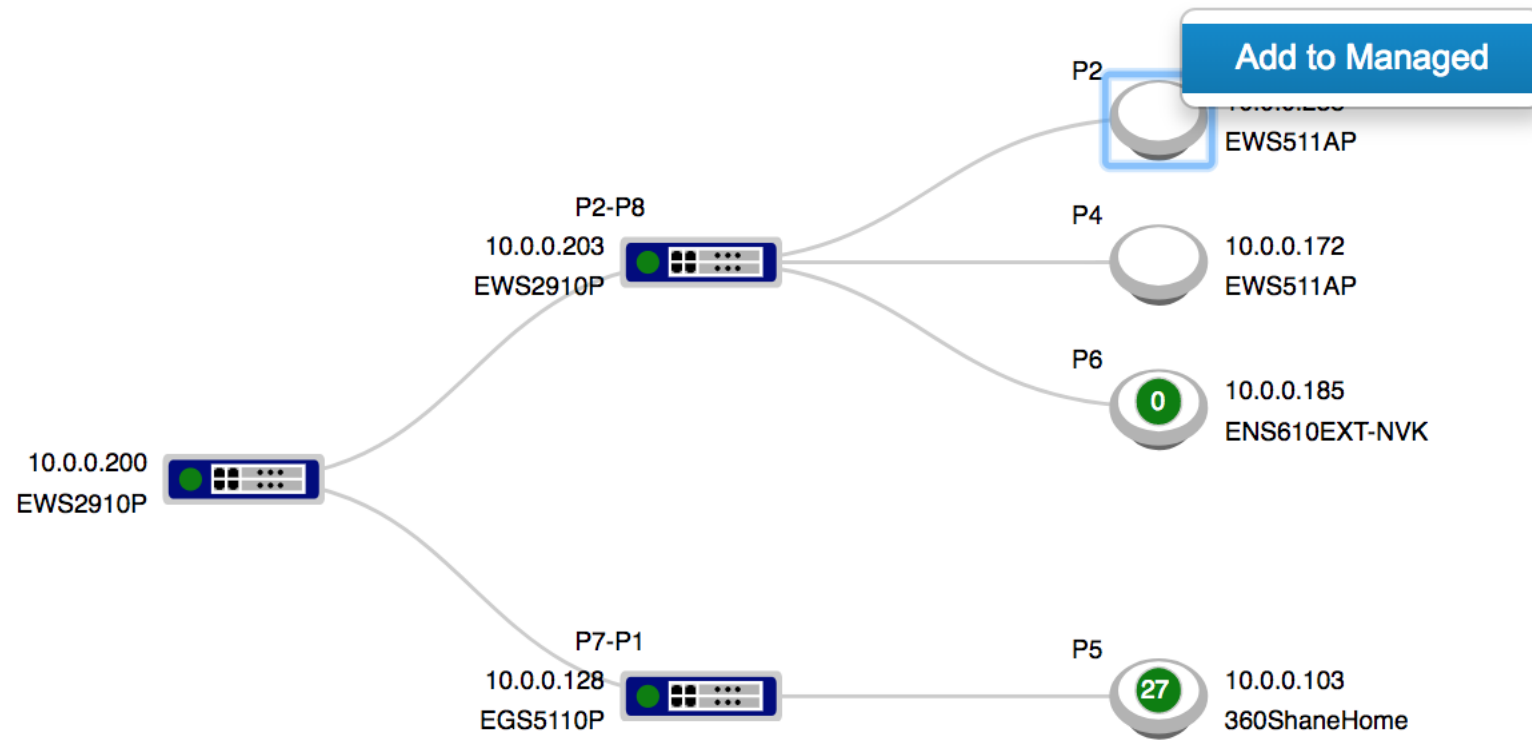
ENS610EXT : HW Controller connectivity test





ENS610EXT : HW Controller connectivity test





v1.05.38-c1.8.12

- v : Main software version
 - c : CAPWAP version
 - 1st digit: Protocol design change
 - 2nd digit: Feature change/enhancement
 - 3rd digit: bug fix
 - AC will show “Incompatible Version” on AP list if either 1st or 2nd digit of CAPWAP version are not identical between AC and AP
 - e.g.
 - AC c1.8.12 + AP c1.6.24: **Incompatible**
 - AC c1.6.24 + AP c1.8.8: **Incompatible**
 - AC c1.8.12 + AP c1.8.8: **Compatible**
-



EWS2910P

8-Port Gigabit PoE L2 Wireless Management Switch with 2 Dual-Speed SFP



[Controller](#) | [Switch](#)

Device Management

- Summary
- Access Points
- AP Groups
- Access Control
- Wireless Services

- Monitor
- Visualization
- Statistics
- Hotspot Service
- Mesh
- Maintenance

Managed AP(s) 8

A list of devices that have been added to the network. This sortable list consists of a filtering function where users can choose to show/hide columns that they wish to check. By selecting the device name, users will be redirected to the device information page.

4
MANAGED

<input type="checkbox"/>	Status	Model Name	MAC Address	Device Name	IP Address	Firmware Version
<input type="checkbox"/>	Online	EWS360AP	88:DC:96:3A:3D:77	360ShaneHome	10.0.0.103	v3.3.56-c1.8.57
<input type="checkbox"/>	Incompatible Version	EWS511AP	88:DC:96:6C:10:05	EWS511AP	10.0.0.238	v3.0.0_c1.9.2
<input type="checkbox"/>	Incompatible Version	EWS511AP	88:DC:96:6C:10:59	EWS511AP	10.0.0.172	v3.0.0_c1.9.2
<input type="checkbox"/>	Online	ENS610EXT-NVK	90:A7:C1:02:C3:88	ENS610EXT-NVK	10.0.0.185	v3.1.0-c1.8.59

10 1 to 4 of 4 AP(s)

System Overview

MAC Address **00:0C:29:5A:74:84**

IP Address **115.178.62.86**

ezMaster Version **0.12.22**

Controller Version **1.8.60**

ezRegister Client Version **0.5.13**

<input type="checkbox"/>	Status	Model Name	MAC Address	Device Name	WAN IP	LAN IP	Firmware Version
<input type="checkbox"/>	● Online	ENS610EXT-NVK	90:A7:C1:02:C3:88	ENS610EXT-NVK	58.8.7.95	10.0.0.185	v3.1.0-c1.8.59
<input type="checkbox"/>	● Incompatible Version	EWS511AP	88:DC:96:6C:10:59	EWS511AP	58.8.7.95		v3.0.0_c1.9.2

System Overview

MAC Address **00:0C:29:21:EE:B0**

IP Address **115.178.62.25**

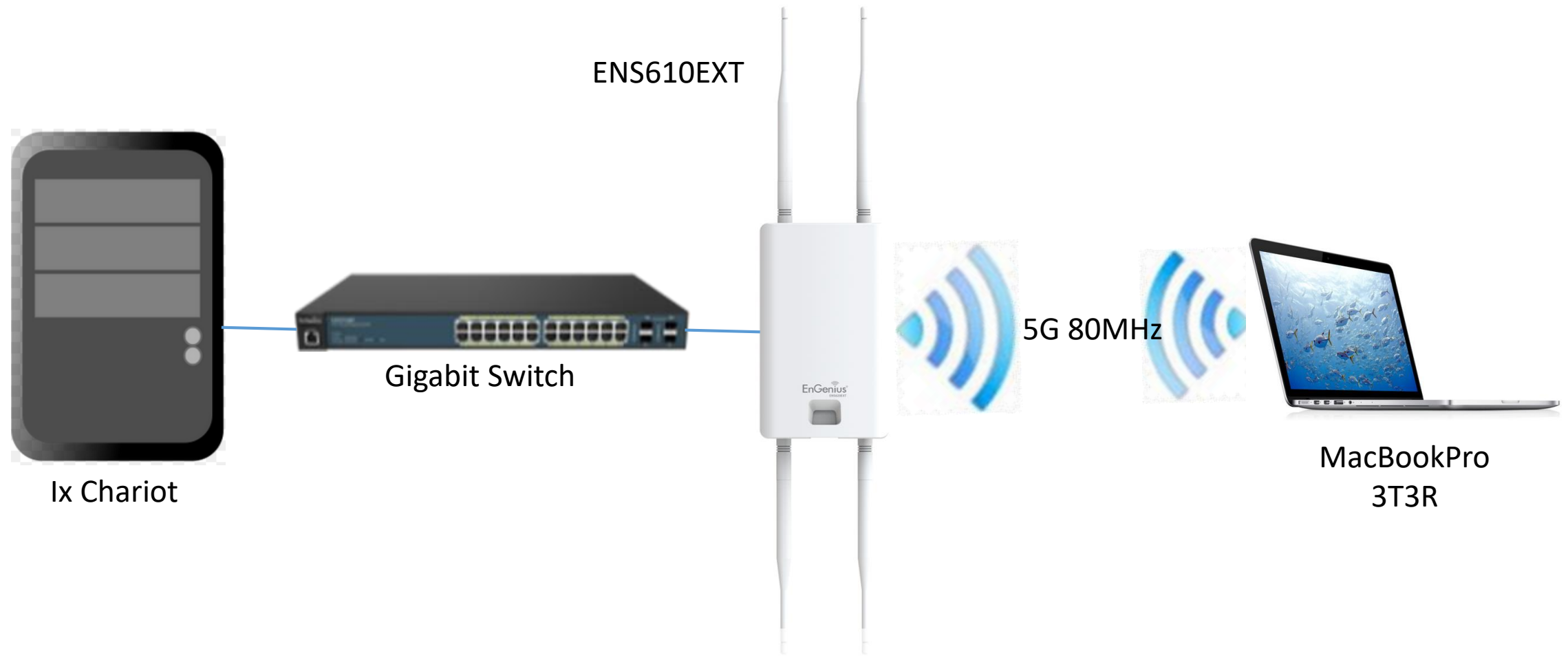
ezMaster Version **1.0.6**

Controller Version **1.9.02**

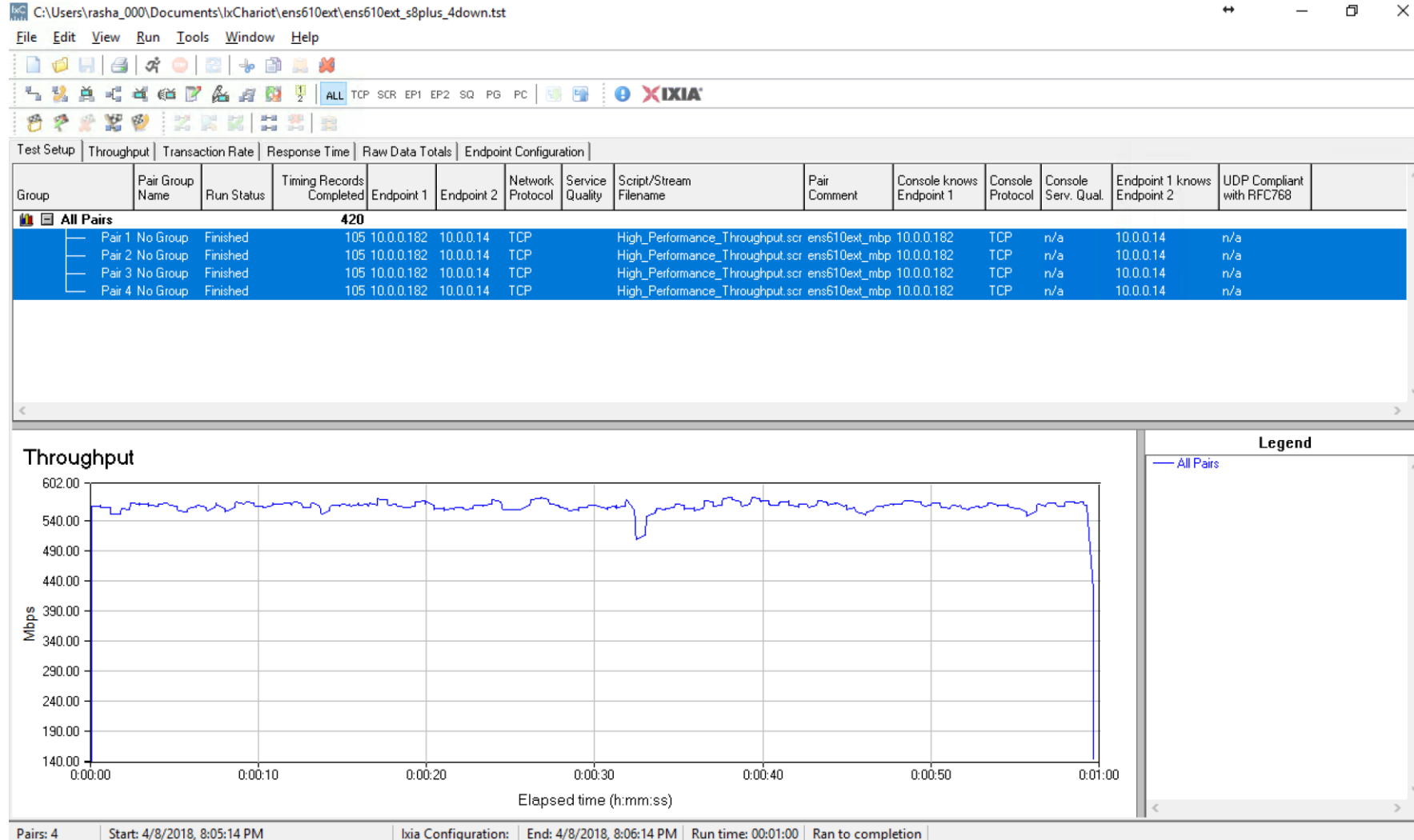
ezRegister Client Version **0.5.13**

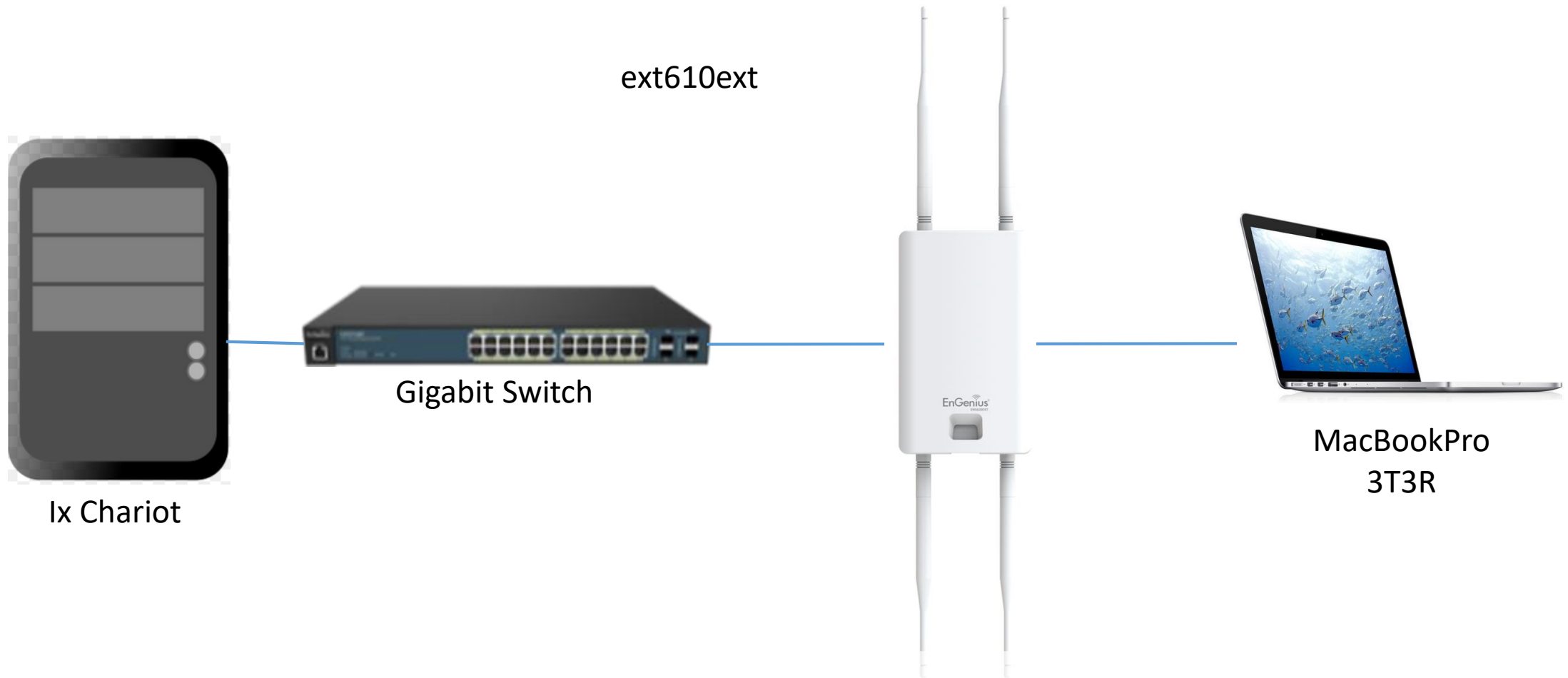
<input type="checkbox"/>	Status	Model Name	MAC Address	Device Name	WAN IP	LAN IP	Firmware Version	Group	Operating Channel
<input type="checkbox"/>	● Online	EWS360AP	88:DC:96:57:34:C6	EWS360AP	180.183.108.44	10.0.1.27	v9.0.8-c1.9.1	test_new_function	Ch1 (2.4G) / Ch36 (5G)
<input type="checkbox"/>	● Online	EWS511AP	88:DC:96:6C:10:05	EWS511AP	58.8.7.95	10.0.0.238	v3.0.0_c1.9.2	test_new_function	Ch6 (2.4G) / Ch52 (5G)
<input type="checkbox"/>	● Online	EWS511AP	88:DC:96:6C:10:59	EWS511AP	58.8.7.95	10.0.0.172	v3.0.0_c1.9.2	test_new_function	Ch1 (2.4G) / Ch52 (5G)
<input type="checkbox"/>	● Online	ENS610EXT-NVK	90:A7:C1:02:C3:88	ENS610EXT-NVK	58.8.7.95	10.0.0.185	v3.0.0_c1.9.2	test_new_function	Ch11 (2.4G) / Ch100 (5G)

ENS610EXT Dual Radio Outdoor AP, 2T2R, 400Mbps + 867Mbps



ENS610EXT : Throughput test





ENS610EXT MBP LAN throughput test

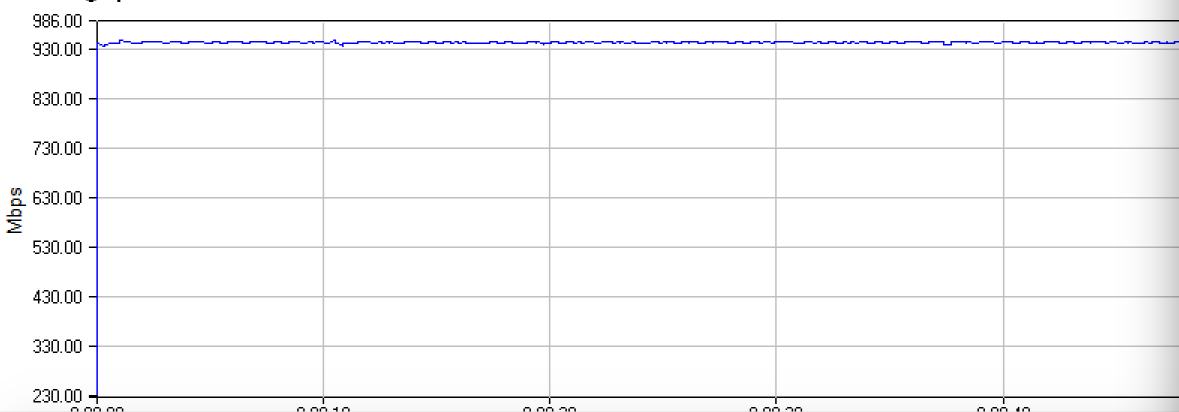
File Edit View Run Tools Window Help

ALL TCP SCR EP1 EP2 SQ PG PC IXIA

Test Setup Throughput Transaction Rate Response Time Raw Data Totals Endpoint Configuration

Group	Pair Group Name	Run Status	Timing Records Completed	Endpoint 1	Endpoint 2	Network Protocol	Service Quality	Script/Stream Filename	Pair Comment	Console knows Endpoint 1	Console Protocol	Console Serv. Qual.	Endpoint 1 knows Endpoint 2	UDP Compliant with RFC768
All Pairs			704											
	Pair 1 No Group	Finished	176	10.0.0.182	10.0.0.74	TCP		High_Performance_Throughput.scr	ens610ext_mbp_lan	10.0.0.182	TCP	n/a	10.0.0.74	n/a
	Pair 2 No Group	Finished	176	10.0.0.182	10.0.0.74	TCP		High_Performance_Throughput.scr	ens610ext_mbp_lan	10.0.0.182	TCP	n/a	10.0.0.74	n/a
	Pair 3 No Group	Finished	176	10.0.0.182	10.0.0.74	TCP		High_Performance_Throughput.scr	ens610ext_mbp_lan	10.0.0.182	TCP	n/a	10.0.0.74	n/a
	Pair 4 No Group	Finished	176	10.0.0.182	10.0.0.74	TCP		High_Performance_Throughput.scr	ens610ext_mbp_lan	10.0.0.182	TCP	n/a	10.0.0.74	n/a

Throughput



Network

Location: Automatic

- Thunderbolt Ethernet Connected
- vlan50 Self-Assigned IP
- vlan10 Self-Assigned IP
- vlan20 Self-Assigned IP
- vlan53 Not Connected
- vlan51 Not Connected

Status: **Connected**
Thunderbolt Ethernet has the IP address

Configure IPv4: Using DHCP

IP Address: 10.0.0.74

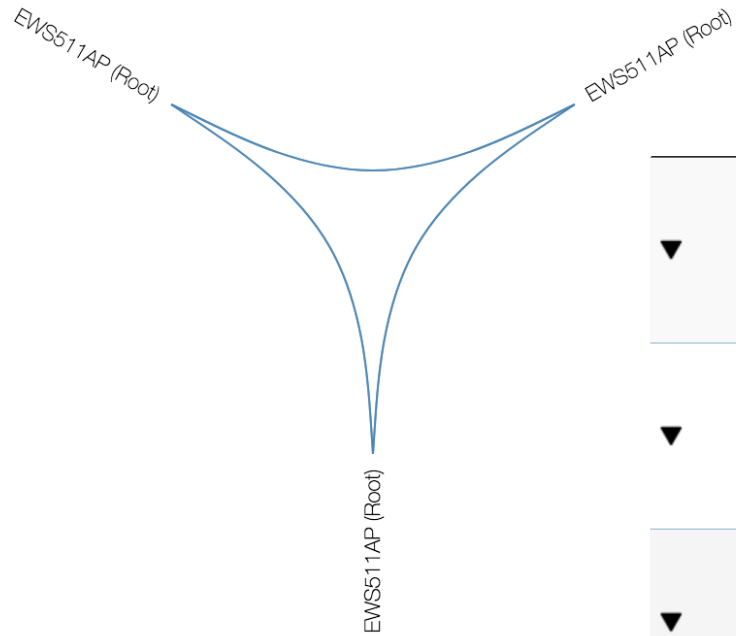
Subnet Mask: 255.255.255.0

Router: 10.0.0.254

DNS Server: 192.168.0.254,

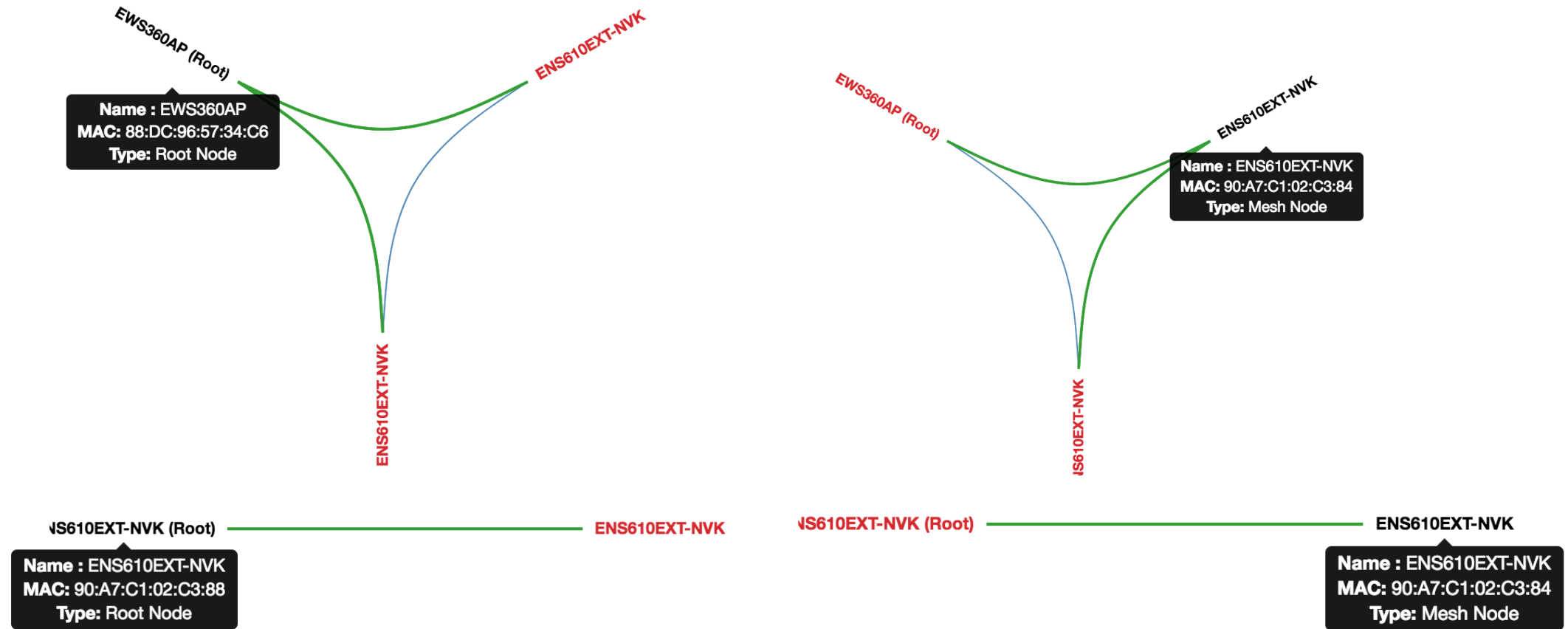
Search Domains:

ENS610EXT Dual Radio Outdoor AP, 2T2R, 400Mbps + 867Mbps



Device Name	MAC	Type	Hops Count	Neighbor Nodes
▼ EWS511AP	88:DC:96:6C:10:05	Root Node	-	EWS511AP (88:DC:96:6C:10:59) [RSSI: -41dBm] EWS511AP (88:DC:96:6C:10:5D) [RSSI: -52dBm]
▼ EWS511AP	88:DC:96:6C:10:5D	Root Node	-	EWS511AP (88:DC:96:6C:10:59) [RSSI: -41dBm] EWS511AP (88:DC:96:6C:10:05) [RSSI: -52dBm]
▼ EWS511AP	88:DC:96:6C:10:59	Root Node	-	EWS511AP (88:DC:96:6C:10:5D) [RSSI: -43dBm] EWS511AP (88:DC:96:6C:10:05) [RSSI: -43dBm]

ENS610EXT Dual Radio Outdoor AP, 2T2R, 400Mbps + 867Mbps



ENS610EXT Dual Radio Outdoor AP, 2T2R, 400Mbps + 867Mbps



610ext

Device Name	MAC	Type	Hops Count	Neighbor Nodes
▼ ENS610EXT-NVK	90:A7:C1:02:C3:84	Mesh Node	1	EWS360AP (88:DC:96:57:34:C6) [RSSI: -29dBm] ENS610EXT-NVK (90:A7:C1:02:C3:88) [RSSI: -40dBm]
▼ ENS610EXT-NVK	90:A7:C1:02:C3:88	Mesh Node	1	EWS360AP (88:DC:96:57:34:C6) [RSSI: -42dBm] ENS610EXT-NVK (90:A7:C1:02:C3:84) [RSSI: -38dBm]
▼ EWS360AP	88:DC:96:57:34:C6	Root Node	-	ENS610EXT-NVK (90:A7:C1:02:C3:88) [RSSI: -53dBm] ENS610EXT-NVK (90:A7:C1:02:C3:84) [RSSI: -43dBm]

1 Mesh

1 Root

1 offline

Device Name	MAC	Type	Hops Count	Neighbor Nodes
ENS610EXT-NVK	90:A7:C1:02:C3:84	Mesh Node	1	ENS610EXT-NVK (90:A7:C1:02:C3:88) [RSSI: -38dBm]
ENS610EXT-NVK	90:A7:C1:02:C3:88	Root Node	-	ENS610EXT-NVK (90:A7:C1:02:C3:84) [RSSI: -32dBm]

NVKoff_new_ezm > Mesh > Throughput

610ext

From

EWS360AP(88:DC:96:57:34:C6)

To

ENS610EXT-N

Start

Upload: 89.9 Mbits/sec
Download: 89.9 Mbits/sec

NVKoff_new_ezm > Mesh > Throughput

610ext

From

ENS610EXT-NVK(90:A7:C1:02:C3:88)

To

ENS610EXT-NVK(90:A7:C1:02:C3:84)

Start

Upload: 152 Mbits/sec
Download: 152 Mbits/sec

NVKoff_new_ezm > Active Clients

<input type="checkbox"/>	Client Name	Client IP	Client MAC	Client OS	AP Device Name	Model Name	SSID	AP MAC	Band	TX Traffic(KB)	RX Traffic(KB)	RSSI(dBm)
<input type="checkbox"/>	Galaxy-Tab-A-2016-with-S-Pen	10.0.0.41	1C:23:2C:A1:5B:49	Android	ENS610EXT-NVK	ENS610EXT-NVK	test_localportal_bridge	90:A7:C1:02:C3:84	5GHz	437	203	-44
<input type="checkbox"/>	Galaxy-S8	10.0.0.84	30:07:4D:24:83:60	Android	ENS610EXT-NVK	ENS610EXT-NVK	NVK Coffee Shop	90:A7:C1:02:C3:88	5GHz	667	157	-55

Wireless Radio Settings

Country: Thailand

2.4GHz

5GHz

Wireless Mode: 802.11 b/g/n Mixed

802.11 ac/a/n Mixed

Channel HT Mode: 20MHz

80MHz(AC Only)

Extension Channel: Upper Channel

Upper Channel

Channel: Auto

Ch36 - 5.180GHz

Transmit Power: Lowest

High

Client Limits: 127

127

Wireless Radio Settings

Country: Thailand

2.4GHz

5GHz

Wireless Mode: 802.11 b/g/n Mixed

802.11 ac/n Mixed

Channel HT Mode: 20MHz

80MHz(AC Only)

Extension Channel: Upper Channel

Auto

Channel: Auto

Auto

Operating Channel: Ch1

Ch64

Transmit Power: 11dBm

20dBm

Client Limits: 127

127

Data Rate: Auto

Auto

RTS/CTS Threshold: 2346 (1-2346)

2346 (1-2346)

The screenshot shows the EnGenie router configuration interface. The main configuration area is split into 2.4GHz and 5GHz sections. In the 5GHz section, the 'Channel HT Mode' is set to '80MHz(AC Only)', which is circled in red. Other 5GHz settings include 'Wireless Mode: 802.11 ac/n Mixed', 'Channel: Auto', 'Operating Channel: Ch64', 'Transmit Power: 20dBm', 'Client Limits: 127', 'Data Rate: Auto', and 'RTS/CTS Threshold: 2346'. The 'Aggregation' is set to 'Enable' with '32 Frames (1~32)'. On the right side, a sidebar shows the 'test_secure' interface with various status indicators and a list of Wi-Fi clients, including '162/20#2', '435a9e', 'Dark Knight Rises', 'Engenius', 'ID Global', 'iot', 'iot24', 'iot5', 'KRISANA', 'Mi24G', 'Mi5G', and 'NVK Coffee Shop'. The 'Tx Rate: 867 Mbps' for the 'test_secure' interface is also circled in red.

Country: Thailand

2.4GHz

Wireless Mode: 802.11 b/g/n Mixed

Channel HT Mode: 20MHz

Extension Channel: Upper Channel

Channel: Auto

Operating Channel: Ch1

Transmit Power: 11dBm

Client Limits: 127

Data Rate: Auto

RTS/CTS Threshold: 2346 (1~2346)

Aggregation: Enable Disable

32 Frames (1~32)

5GHz

Wireless Mode: 802.11 ac/n Mixed

Channel HT Mode: 80MHz(AC Only)

Channel: Auto

Operating Channel: Ch64

Transmit Power: 20dBm

Client Limits: 127

Data Rate: Auto

RTS/CTS Threshold: 2346 (1~2346)

Interface Name: en0
Address: ac:bc:32:a1:a1:77
Enable Wi-Fi Logging
Create Diagnostics Report...
Open Wireless Diagnostics...

Wi-Fi: On
Turn Wi-Fi Off

test_secure

Disconnect from test_secure

IP Address: 10.0.0.5
Router: 10.0.0.254
Security: WPA/WPA2 Personal
BSSID: 9a:a7:c1:02:c3:8a
Channel: 64 (DFS, 5 GHz, 80 MHz)
Country Code: TH
RSSI: -40 dBm
Noise: -92 dBm
Tx Rate: 867 Mbps
PHY Mode: 802.11ac
MCS Index: 9

162/20#2

435a9e

Dark Knight Rises

Engenius

ID Global

iot

iot24

iot5

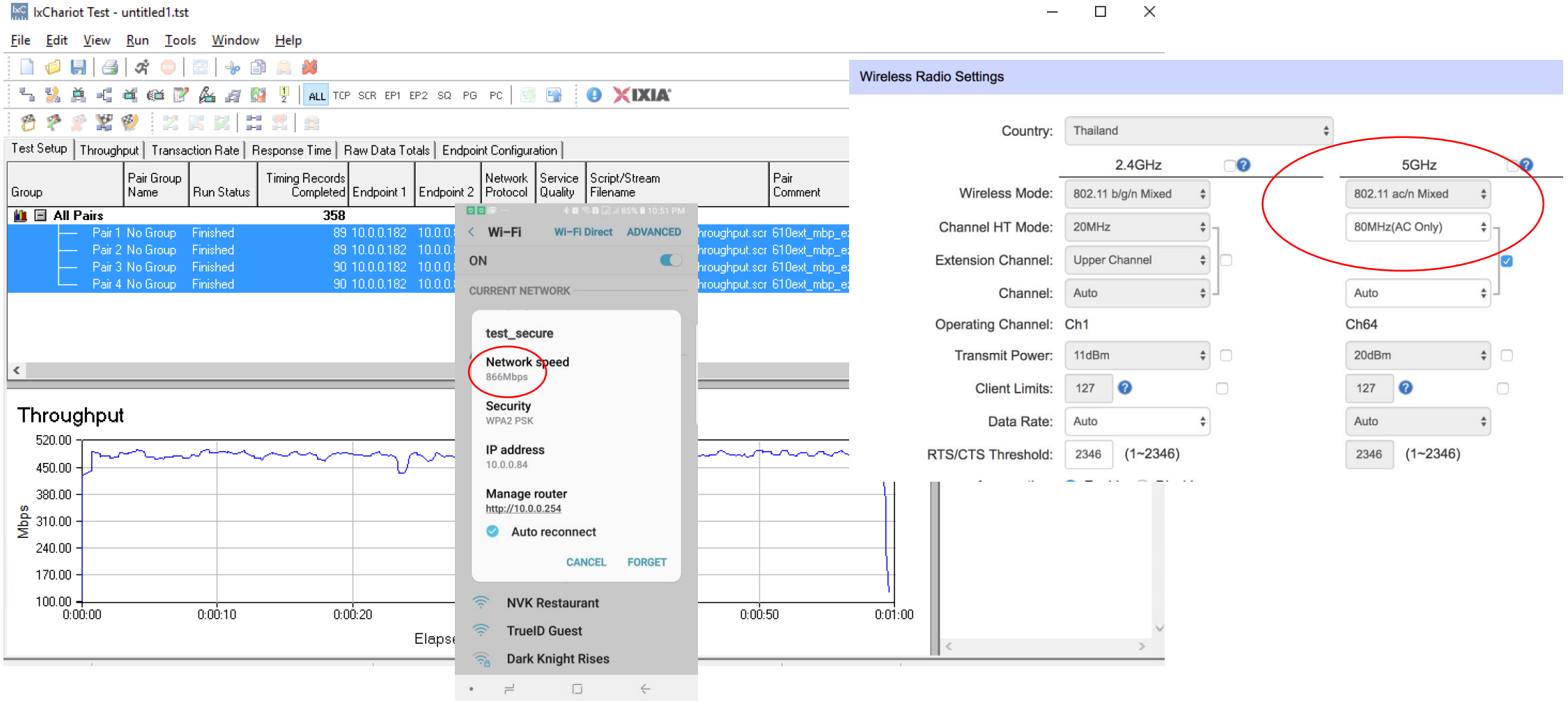
KRISANA

Mi24G

Mi5G

NVK Coffee Shop

ENS610EXT Throughput test



The image shows a screenshot of the IxChariot test interface. The main window displays test results for 'All Pairs' with a total of 358 timing records completed. A 'Throughput' graph shows a steady performance around 450 Mbps. A mobile Wi-Fi settings overlay is visible, showing a network speed of 866 Mbps. To the right, the 'Wireless Radio Settings' panel is shown, with the 5GHz band selected and '80MHz(AC Only)' highlighted in a red circle.

Wireless Radio Settings

Country: Thailand

2.4GHz 5GHz

Wireless Mode: 802.11 b/g/n Mixed (2.4GHz) / 802.11 ac/n Mixed (5GHz)

Channel HT Mode: 20MHz (2.4GHz) / 80MHz(AC Only) (5GHz)

Extension Channel: Upper Channel (2.4GHz) / (5GHz)

Channel: Auto (2.4GHz) / Auto (5GHz)

Operating Channel: Ch1 (2.4GHz) / Ch64 (5GHz)

Transmit Power: 11dBm (2.4GHz) / 20dBm (5GHz)

Client Limits: 127 (2.4GHz) / 127 (5GHz)

Data Rate: Auto (2.4GHz) / Auto (5GHz)

RTS/CTS Threshold: 2346 (1~2346) (2.4GHz) / 2346 (1~2346) (5GHz)

Group	Pair Group Name	Run Status	Timing Records Completed	Endpoint 1	Endpoint 2	Network Protocol	Service Quality	Script/Stream Filename	Pair Comment
All Pairs			358						
	Pair 1 No Group	Finished	89	10.0.0.182	10.0.0.84			throughput.scr 610ext_mbp_e	
	Pair 2 No Group	Finished	89	10.0.0.182	10.0.0.84			throughput.scr 610ext_mbp_e	
	Pair 3 No Group	Finished	90	10.0.0.182	10.0.0.84			throughput.scr 610ext_mbp_e	
	Pair 4 No Group	Finished	90	10.0.0.182	10.0.0.84			throughput.scr 610ext_mbp_e	

Throughput

Y-axis: Mbps (100.00 to 520.00)

X-axis: Elapsed Time (0:00:00 to 0:01:00)

Network speed: 866Mbps

Security: WPA2 PSK

IP address: 10.0.0.84

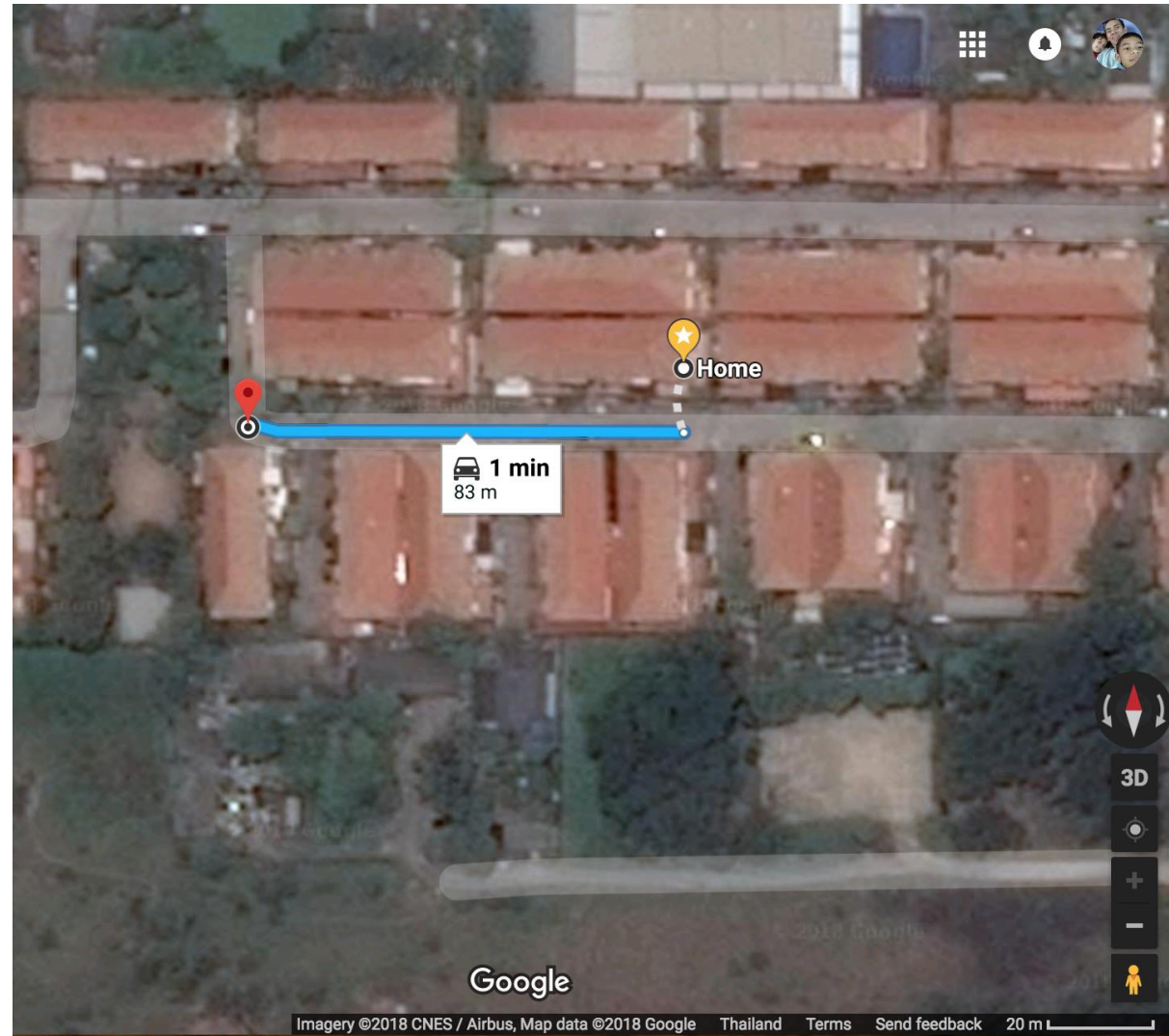
Manage router: http://10.0.0.254

Auto reconnect:

Available Networks:

- NVK Restaurant
- TrueID Guest
- Dark Knight Rises

ENS610EXT outdoor throughput test



Scan | Connected SSID | Who's On My Network?

41 of 42 shown (merge)

Scan Every: 5 Sec.
Pause
Stop
Filter

	Join	SSID	BSSID	Vendor	Signal	Noise	Channel	Width	Band	Mode	Sec..
▶ Band	2										
▶ SSID	41										
▶ Mode	4										
▶ BSSID	38										
▶ Vendor	14										
<input checked="" type="checkbox"/>	Join	133/66	80:38:BC:80:9A:14	HUAWEI TECHNOLOGIES CO.,L...	-87	-92	9,+1	40 MHz	2.4 GHz	b/g/n	Secu
<input checked="" type="checkbox"/>	Join	162/20#2	A0:F3:C1:DF:9C:5E	TP-LINK TECHNOLOGIES CO.,L...	-86	-95	5,+1	40 MHz	2.4 GHz	g/n	WPA
<input checked="" type="checkbox"/>	Join	Adul Binki	9A:DC:96:49:29:D2	Unknown	-76	-92	11	20 MHz	2.4 GHz	b/g/n	WPA
<input checked="" type="checkbox"/>	Join	AIDEAS3_2.4G	7C:39:53:99:93:C8	Unknown	-92	-92	1	20 MHz	2.4 GHz	b/g/n	WPA
<input checked="" type="checkbox"/>	Join	AIDEAS3_5G	7C:39:53:99:93:C9	Unknown	-85	-94	161	80 MHz	5 GHz	ac	WPA
<input checked="" type="checkbox"/>	Join	AIS_Wifi	8C:E1:17:CB:97:BA	zte corporation	-70	-92	6	20 MHz	2.4 GHz	n	WPA
<input checked="" type="checkbox"/>	Join	APSBKK-0727-E1	8A:DC:96:0D:96:D0	Unknown	-92	-92	6	20 MHz	2.4 GHz	b/g/n	Oper
<input checked="" type="checkbox"/>	Join	APSBKK-0727-E2	8A:DC:96:16:6A:04	Unknown	-91	-92	11	20 MHz	2.4 GHz	b/g/n	Oper
<input checked="" type="checkbox"/>	Join	baker	FC:3F:7C:29:D3:AC	HUAWEI TECHNOLOGIES CO.,L...	-87	-92	4	20 MHz	2.4 GHz	b/g/n	WPA
<input checked="" type="checkbox"/>	Join	chat4554	7C:39:53:E1:40:AB	Unknown	-86	-92	5	20 MHz	2.4 GHz	b/g/n	WPA

SSID Details | RSSI vs. Time | Channels | Signal Rank | Speed Test

2.4 GHz

5 GHz

RSSI -72 dBm
Channel 60
Width 40 MHz

IxChariot Test - untitled1.tst

File Edit View Run Tools Window Help

ALL TCP SCR EP1 EP2 SQ PG PC

Test Setup | Throughput | Transaction Rate | Response Time | Raw Data Totals | Endpoint Configuration

Group	Pair Group Name	Run Status	Timing Records Completed	Endpoint 1	Endpoint 2	Network Protocol	Service Quality	Script/Stream Filename	Pair Comment	Console knows Endpoint 1
All Pairs			28							
	Pair 1 No Group	Finished	7	10.0.0.182	10.0.0.7	TCP		High_Performance_Throughput.scr	ens610ext	10.0.0.182
	Pair 2 No Group	Finished	8	10.0.0.182	10.0.0.7	TCP		High_Performance_Throughput.scr	ens610ext	10.0.0.182
	Pair 3 No Group	Finished	7	10.0.0.182	10.0.0.7	TCP		High_Performance_Throughput.scr	ens610ext	10.0.0.182
	Pair 4 No Group	Finished	6	10.0.0.182	10.0.0.7	TCP		High_Performance_Throughput.scr	ens610ext	10.0.0.182

Throughput

Pairs: 4 | Start: 5/13/2018, 6:13:07 PM | Ixia Configuration: | End: 5/13/2018, 6:14:07 PM | Run time: 00:01:00 | Ran to completion

Interface Name: en0
 Address: [REDACTED]
 Enable Wi-Fi Logging
 Create Diagnostics Report...
 Open Wireless Diagnostics...

Wi-Fi: On
 Turn Wi-Fi Off

✓ ENS610EXT_5G [lock] [wifi icon]
 Disconnect from ENS610EXT_5G
 IP Address: 10.0.0.7
 Router: 10.0.0.254
 Security: WPA/WPA2 Personal
 BSSID: 90:a7:c1:02:c3:0e
 Channel: 60 (DFS, 5 GHz, 40 MHz)
 Country Code: TH
 RSSI: -75 dBm
 Noise: -95 dBm
 Tx Rate: 41 Mbps
 PHY Mode: 802.11ac
 MCS Index: 2

- 162/20#2 [lock] [wifi icon]
- Adul Binki [lock] [wifi icon]
- AIDEAS3_2.4G [lock] [wifi icon]
- AIS_Wifi [lock] [wifi icon]
- APSBKK-0727-E2 [lock] [wifi icon]
- baker [lock] [wifi icon]
- chat4554 [lock] [wifi icon]
- Dream Dream [lock] [wifi icon]
- ENS610EXT_24G [lock] [wifi icon]
- FirstFair_home2G [lock] [wifi icon]
- FirstFair_home5G [lock] [wifi icon]
- HP-Print-14-Color LaserJet P... [lock] [wifi icon]
- indebuurt1 [lock] [wifi icon]
- inventor [lock] [wifi icon]
- iot [lock] [wifi icon]
- iot24 [lock] [wifi icon]

ENS610EXT ~ 85 meter NVR streaming test.



VMSWorkStation Help

Window

All Cameras

View

Camera

1 Living ACTi 2561-05-13 18:00:36

2 Snd Left ACTi 2561-05-13 18:00:36

4 Snd Right ACTi 2561-05-13 18:00:36

5 Front ACTi 2561-05-13 18:00:36

7 Side MC 2561-05-13 18:00:36

8 Snd Back Acti 2561-05-13 18:00:36

Interface Name: en0
Address: [REDACTED]
Enable Wi-Fi Logging
Create Diagnostics Report...
Open Wireless Diagnostics...

Wi-Fi: On
Turn Wi-Fi Off

✓ ENS610EXT_5G [Lock] [Signal]
Disconnect from ENS610EXT_5G
IP Address: 10.0.0.7
Router: 10.0.0.254
Security: WPA/WPA2 Personal
BSSID: 90:a7:c1:02:c3:0e
Channel: 60 (DFS, 5 GHz, 40 MHz)
Country Code: TH
RSSI: -75 dBm
Noise: -74 dBm
Tx Rate: 54 Mbps
PHY Mode: 802.11ac
MCS Index: 3

133/66 [Lock] [Signal]
AIS_Wifi [Lock] [Signal]
APSBKK-0727-E1 [Lock] [Signal]
baker [Lock] [Signal]
chat4554 [Lock] [Signal]
Dream Dream [Lock] [Signal]
ENS610EXT_24G [Lock] [Signal]

Microsoft Remote Desktop Window Help 10.0.0.182

10.0.0.182

ixChariot Test - untitled1.tst

File Edit View Run Tools Window Help

ALL TCP SCR EP1 EP2 SQ PG PC IXIA

Test Setup | Throughput | Transaction Rate | Response Time | Raw Data Totals | Endpoint Configuration

Group	Pair Group Name	Run Status	Timing Records Completed	Endpoint 1	Endpoint 2	Network Protocol	Service Quality	Script/Stream Filename
All Pairs			57					
	Pair 1 No Group	Finished	14	10.0.0.182	10.0.0.7	TCP		High_Performance_Throughput.scr
	Pair 2 No Group	Finished	14	10.0.0.182	10.0.0.7	TCP		High_Performance_Throughput.scr
	Pair 3 No Group	Finished	15	10.0.0.182	10.0.0.7	TCP		High_Performance_Throughput.scr
	Pair 4 No Group	Finished	14	10.0.0.182	10.0.0.7	TCP		High_Performance_Throughput.scr

Throughput

Throughput graph showing Mbps vs Elapsed time (h:mm:ss). The y-axis ranges from 12.00 to 114.90 Mbps. The x-axis ranges from 0:00:00 to 0:00:50. The graph shows a fluctuating line between approximately 50 and 95 Mbps.

Interface Name: en0
Address: [redacted]
Enable Wi-Fi Logging
Create Diagnostics Report...
Open Wireless Diagnostics...

Wi-Fi: Looking for Networks...
Turn Wi-Fi Off

✓ ENS610EXT_5G
Disconnect from ENS610EXT_5G
IP Address: 10.0.0.7
Router: 10.0.0.254
Security: WPA/WPA2 Personal
BSSID: 90:a7:c1:02:c3:0e
Channel: 60 (DFS, 5 GHz, 40 MHz)
Country Code: TH
RSSI: -60 dBm
Noise: -95 dBm
Tx Rate: 200 Mbps
PHY Mode: 802.11ac
MCS Index: 9

162/20#2
@ 3BB_WiFi
Adul Binki
AIDEAS3_2.4G
AIDEAS3_5G
APSBKK-0727-E2
ENS610EXT_24G
FirstFair_home2G
FirstFair_home5G
HP-Print-14-Color LaserJet P...
indebuurt1
iot
iot24
iot5

Pairs: 4 | Start: 5/13/2018, 6:15:42 PM | Ixia Configuration: | End: 5/13/2018, 6:16:41 PM | Run time: 00:00:59

ENS610EXT SamsungS8+ throughput ~85meter

IxChariot Test - untitled1.tst
— □ ×

File Edit View Run Tools Window Help

ALL TCP SCR EP1 EP2 SQ PG PC

Test Setup Throughput Transaction Rate Response Time Raw Data Totals Endpoint Configuration

Group	Pair Group Name	Run Status	Timing Records Completed	Endpoint 1	Endpoint 2	Network Protocol	Service Quality	Script/Stream Filename	Pair Comment
All Pairs			51						
	Pair 1 No Group	Finished	10	10.0.0.182	10.0.0.84	TCP		High_Performance_Throughput.scr ens610ext	
	Pair 2 No Group	Finished	13	10.0.0.182	10.0.0.84	TCP		High_Performance_Throughput.scr ens610ext	
	Pair 3 No Group	Finished	15	10.0.0.182	10.0.0.84	TCP		High_Performance_Throughput.scr ens610ext	
	Pair 4 No Group	Finished	13	10.0.0.182	10.0.0.84	TCP		High_Performance_Throughput.scr ens610ext	

10.0.0.84

WiFi Overview 360 Pro
?

WIFI SCANNER WI-FI INFO CH. CHECK

-77 dBm 60 (62) channel

Time: 00:01:02

SSID: ENS610EXT_5G
 BSSID: 90:a7:c1:02:c3:0e
 MAC: [REDACTED]
 Manufacturer: Packedge Device And Software
 Dist.: 40.49 meter
 WiFi speed: 27 Mbps
 WiFi strength: -78 dBm
 Encryption: WPA2
 Channel: 60 (62)
 Frequency: 5300 (5310) MHz
 Ch. width: 40 MHz (5290-5330 MHz)
 IP: 10.0.0.84 (IPv4)

Pairs: 4 | Start: 5/13/2018, 6:20:49 PM | Ixia Configuration: | End: 5/13/2018, 6:21:49 PM | Run time: 00:01:00 | Ran to completion

Thank you
