

HF-VTR344
3-in-1 Fire Detector

The 3-in-1 fire detector (hereinafter referred to as "equipment") is a fire detection device that uses focal plane temperature measurement technology as the main means of fire detection, identifies abnormal temperature and flames of objects in the detected area, and issues early warnings and alarms, which can achieve network management and visual review. This product has functions such as smoke and fire alarm, temperature measurement alarm, fire point location identification, video review, etc. in the detected area, which can realize very early fire warning and alarm, and remote visual review of the alarm situation at the fire scene. It is widely used in hospitals, schools (laboratories, libraries, warehouses, archives), museums, temples, Taoist temples, banks (ATM rooms, equipment rooms), safety production workshops, indoor substations, new energy, petroleum and petrochemical (gas stations) and other key units with fire protection and security needs.

- The new intelligent camera that integrates three sensors, namely visible light + three-band infrared pyroelectric + thermal imaging, can sense flame and temperature anomalies and issue alarms, and can also achieve accurate fire detection and early warning through video review.
- High sensitivity, safe and reliable, powerful functions, easy to use and beautiful appearance.
- Supports dual-light fusion image mode, with visible light high resolution up to 2560 × 1440@25 fps; thermal imaging image resolution is 1280 × 720.
- Supports microSD/SDHC/SDXC card (128G) local storage.
- Support flame detection, coverage range 50m (0.1m² fire disk)
- Supports temperature anomaly (high temperature, temperature rise) detection.
- Supports local alarm indicator light, built-in speaker high-decibel alarm, and supports remote silencing.
- Supports PoE power supply, 10M/100M adaptive network port, and IP66 grade waterproof and dustproof.
- Supports linkage of alarm pictures and alarm videos when an alarm occurs.
- Built-in microphone, supports two-way voice intercom.

▪ Specification

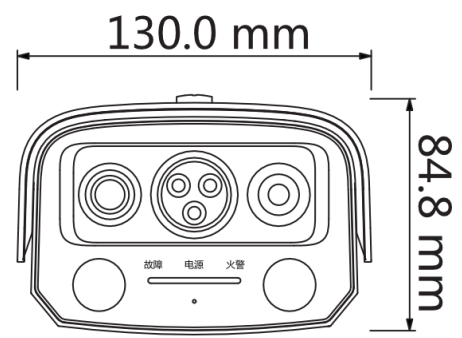
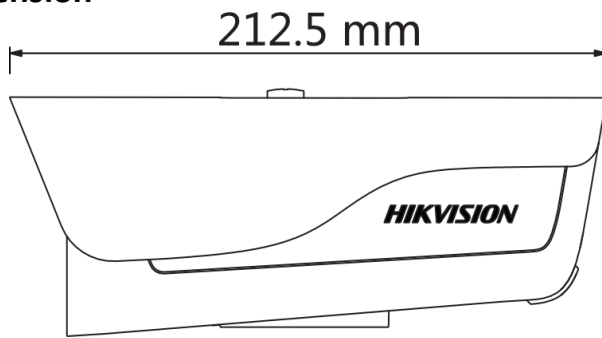
Optical Camera	
Max. Image Size	2560 x 1440
Sensor Type	Visible light: 1/2.7" Progressive Scan CMOS
Main Stream	25 fps (2560 × 1440, 1920 × 1080, 1600 × 1200, 1280 × 720)
Sub Stream	25 fps (704 × 576, 640 × 480, 352 × 288)
Min. Illumination	Color: 0.015 Lux@(F1.6, AGC ON)
Optical Lens	4mm,F1.6
Image Settings	Saturation, brightness, contrast, sharpness, AGC, white balance adjustable through client or browser
WDR	120 dB
Shutter	1/25 ~ 1/100,000 s
Day/Night Switch	Full Color
Image Enhancement	Backlight compensation, 3D digital noise reduction, grayscale range adjustment
Main Stream Video Compression Standard	H.265,H.264
Sub Stream Compression Standard	H.265,H.264
Video Bitrate	256Kbps~8Mbps
Intelligent Alarm	Motion detection, occlusion alarm, area intrusion detection, cross-border detection, smoke and fire detection
Protocol	TCP/IP, FTP, HTTP, HTTPS, DHCP, DNS, DDNS, RTP, RTSP, RTCP, NTP, UDP
Interface Protocol	Open network video interface (PROFILE S, PROFILE G), ISAPI, GB28181
General	One-key recovery, anti-flicker, heartbeat, mirroring, password protection, video masking, IP address filtering
Storage	Support microSD/SDHC/SDXC card (128G) offline local storage
Exception Detection	Motion detection, tampering alarm, network disconnection, IP address conflict, illegal login, storage full, storage error
Web Configuration	Support web preview, configuration, parameter import/export
Power Consumption	≤10 W
IR Range	30 m
Accessory Type	Wall mount bracket, ceiling mount bracket, universal joint bracket
Angle of View	Horizontal 84°, Vertical 43°
Thermal Detector	
Max. Resolution	256 ×192
Pixel Size	17 μm
Response Waveband	8~14 μm
Focal Length of Thermal Imaging Lenses	3 mm
Angle of View	Horizontal 50°, Vertical 37°
Detection Range	Within 50 meters
Flame Alarm	Yes
Palette Mode	Supports 15 modes including white hot, black hot, fusion 1, rainbow, fusion 2, iron red 1, iron red 2, etc.
Fire and Smoke Detection	Yes

Temperature Exception Detection	Yes
Temperature Measurement Range	0°C~400°C
Thermography Precision	±2°C or ±2% of reading (the maximum value) (within 0.3~3.3m from the device)
Noise Equivalent Temperature Difference (NETD)	≤50 mK(@25 °C,F#1.0)
Display Resolution	1280*720
Temperature Sensing Mode	Support non-contact temperature sensing
High Temperature Alarm	Yes
Alarm Indicator Light	Red on: Alarm Green on: Normal operation Yellow on: Fault
Triple-IR Sensor	
Wavelength	Sensor: 4.3μm main detection + 5.0μm reference + 3.8μm reference
Angle	100° cone
CO ₂ Distance	50 meter (0.1 m ² fire)
Function	
Remote Silence	Yes
Interface	
Alarm Interface	2 alarm inputs (Alarm in), 2 alarm outputs (Alarm out, maximum support DC 30 V/2 A or AC 125 V/0.5 A)
Audio Interface	1 audio input (Line in), 1 audio output (Line out), 1 built-in microphone, 1 built-in speaker
Professional Intelligence (Deep Learning Algorithm)	
Flame Detection	Yes
General	
Using Environment	-30 °C~60 °C, humidity less than 95% (no condensation)
Ingress Protection	IP66
Communication Interface	1 RJ45 10M/100M adaptive Ethernet port, support PoE power supply; 1 RS-485 interface
Mounting Height	Indoor: higher than 2.5 m Outdoor: higher than 3.5 m
Power Interface Type	3pin industrial terminal, 3.81 pitch
Power	DC 12 V/1.5 A, PoE: 802.3at, CLASS 4
Product Implementation Standard	Q/HKD 012-2020
Weight	1.4 kg bare metal, 1.7 kg with packaging
Dimension (L × W × H)	212.5 mm × 130.0 mm × 84.8 mm

▪ Available Model

HF-VTR344

▪ Dimension



▪ Accessory

▪ Optional

Power
Adapter_ADS-
26FSG-12
12024EPCN





See Far, Go Further



www.hikvision.com
support@hikvision.com

