

**HF-VH221**  
**Fire Detection Camera**

- Support High temperature alarm and Differential temperature alarm
- High quality imaging with 2 MP resolution
- Supplement Light Range 30m
- Support alarm linkage alarm picture and alarm video
- Support local alarm indicator
- Supports mute remotely
- Built-in microphone for real-time audio security
- Water and dust resistant (IP66)

## ▪ Specification

Camera	
Main Stream	25 fps (1920 × 1080, 1280 × 720)
Sub Stream	25 fps (704 × 576, 640 × 480)
Min. Illumination	Color: 0.01 Lux@(F2.0, AGC ON)
Image Settings	Saturation, brightness, contrast, sharpness, AGC and white balance can be adjusted through the client or browser.
Adjusted Angle	Horizontal: 0° ~ 360°; Vertical: 0° ~ 70°; rotated: 0° ~ 360°
WDR	Digital WDR
Shutter	1/25 ~ 1/100,000 s
Day/Night Switch	IR cut filter
Image Enhancement	BLC, 3D DNR
SVC Encoding	H.264, H.265
H.265	Main Profile
H.264	Main Profile/High Profile
Main Stream Video Compression Standard	H.265,H.264
Sub Stream Compression Standard	H.265,H.264
Video Bitrate	256 Kbps ~ 4 Mbps
General	Anti-banding, Heartbeat, Mirror, Password protection, Video occlusion
Intelligent Alarm	High temperature alarm, Differential temperature alarm
Exception Detection	Network cable disconnection, IP address conflict, Invalid access
WEB Configuration	Support web preview, configuration
Protocol	TCP/IP, HTTP, HTTPS, DHCP, DNS, RTP, RTSP, RTCP, NTP, IPv4, UDP
Interface Protocol	ONVIF(PROFILE S, PROFILE G), ISAPI, EZVIZ
Power Consumption	≤ 6.5 W
IR Range	30m
Accessory Type	Wall mount, Pendant mount, Junction box
Focal Length & FOV	2.8mm, horizontal FOV: 105.12°, vertical 59.13°, diagonal FOV: 120.6° 4mm, horizontal FOV: 78.96°, vertical 43.17°, diagonal FOV: 93.31°
Detector	
Thermography Alarm Shielded Area	Configure four rectangular areas
Temperature Sensing Mode	Thermistor
Image Sensor	1/2.9" Progressive Scan CMOS
High Temperature Alarm	Yes
Max. Resolution	1920 × 1080
Alarm Indicator Light	One, Red: Alarm; Yellow: Fault; Green: Normal
Thermography Precision	±3°(In a constant temperature environment without wind, power on for 1 hour)
Function	
Remote Silence	Yes
Interface	
Audio Interface	1 built-in microphone
Ethernet Interface	1 RJ45 10 M/100 M self-adaptive Ethernet port

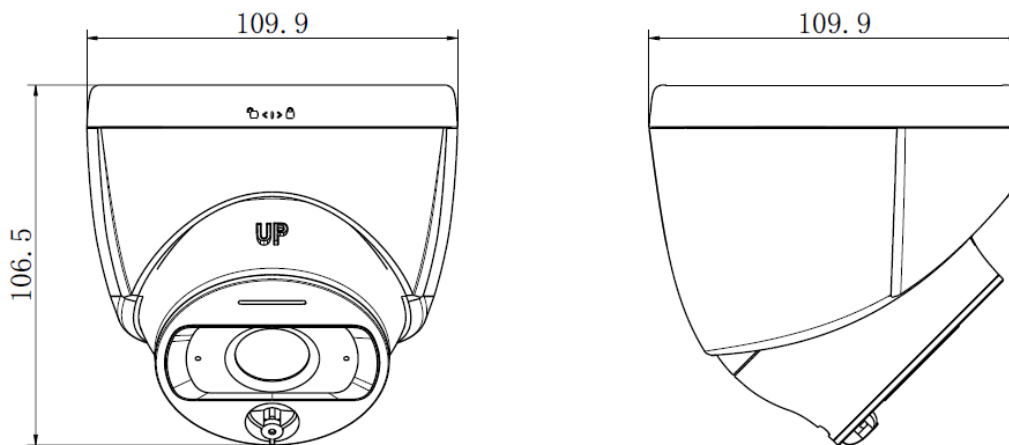
General	
Using Environment	Temperature: -30 °C ~ 60 °C
Dimension (φ × H)	Humidity: less than 95% (no condensing) Φ 109.9 × H 106.5 mm
Weight	Approx. 290g, 452g with package
Execution Standard	Q/HKD 006-2019
Mounting Height	Wall mounted: 2.4 m~2.8 m; Pendent: 3.3 m~6 m
Ingress Protection	IP66
Power	DC 12V POE: IEEE802.3af, CLASS 3

### ▪ Available Model

HF-VH221(2.8mm)

HF-VH221(4mm)

### ▪ Dimension



# See Far, Go Further



[www.hikvision.com](http://www.hikvision.com)  
[support@hikvision.com](mailto:support@hikvision.com)

