

## HF-SS2 Sounder Strobe



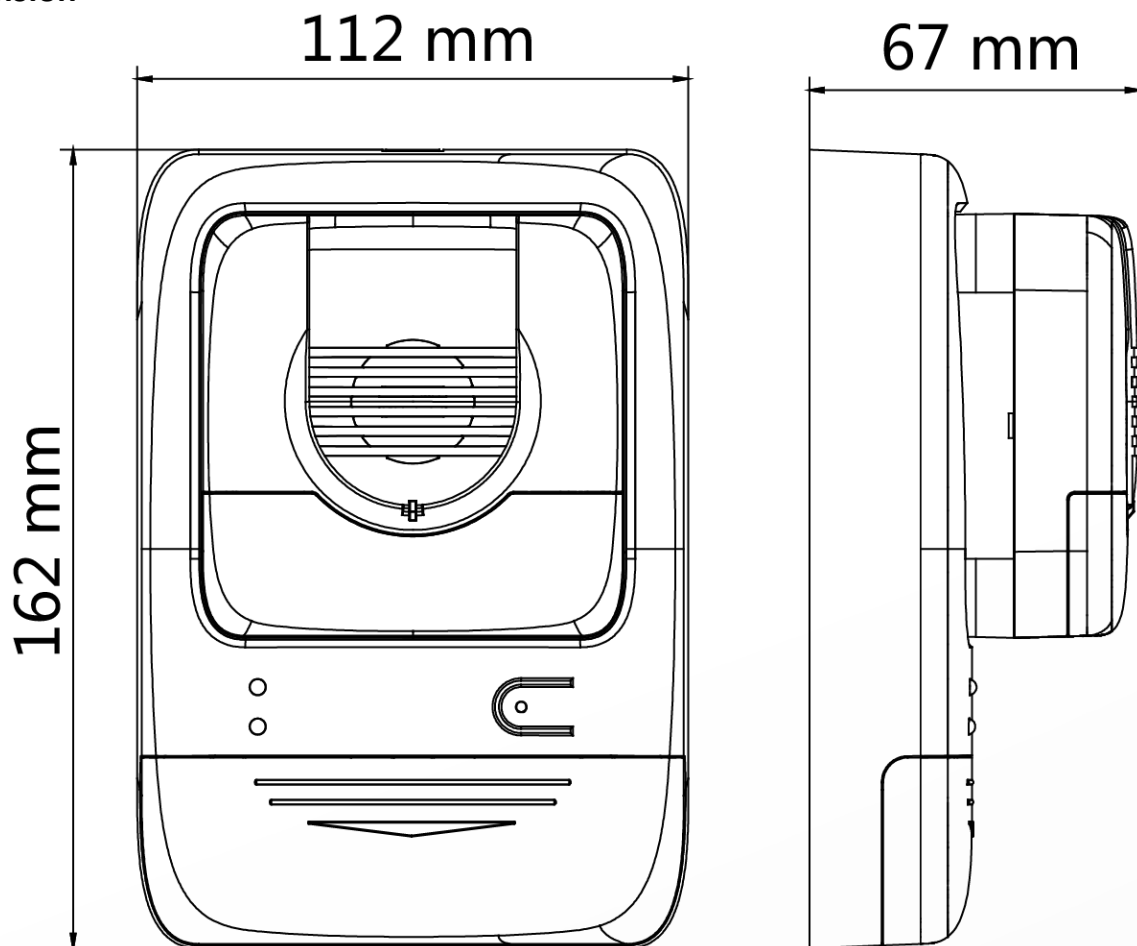
The sounder strobe can send out an audible and light alarm signal to remind people on the scene of the accident when fire occurs.

- Support through wireless HF-Link communication mode to achieve networking applications.
- Support sound and visual alarm.
- Support battery undervoltage alarm, anti-demolition alarm, communication abnormal function detection and indication.
- Support remote mute.
- Using the test function, the user can self-check the working status of the device.

## ▪ Specification

Detector	
Alarm Indicator Light	Active, Communicate, Fault
Alarm Type	Sound and visual
General	
Shell Material	ABS
Alarm Volume	75 dB~100 dB@3 m
Battery Life Span	Up to 3 Months in Sleep Mode and Up to 60 Minutes in Alarm Mode
Working Temperature	-10°C ~ 55°C
Working Humidity	≤95%RH
Weight	318 g
Wireless Communication	LoRa,433MHz

## ▪ Dimension



# See Far, Go Further



[www.hikvision.com](http://www.hikvision.com)  
[support@hikvision.com](mailto:support@hikvision.com)

