

## HF-MP2 Manual Call Point



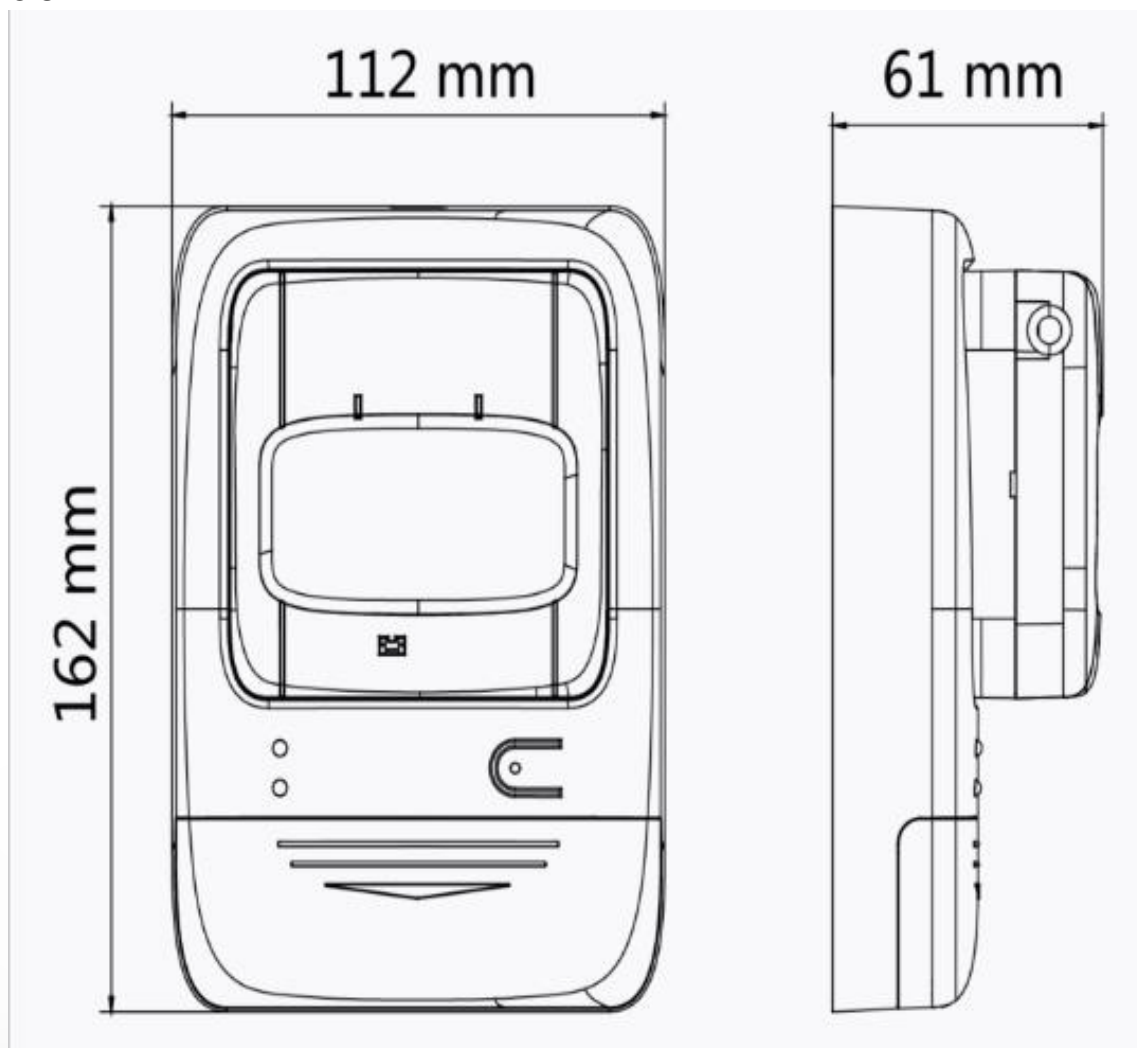
The manual call point is installed in a public place, when a fire occurs, manually press the starting part to trigger the fire alarm signal.

- Support through wireless HF-Link communication mode to achieve networking applications
- Support manual alarm, key reset, battery undervoltage alarm, anti-demolition alarm, communication abnormal function detection and indication.
- Support signal strength query, easy deployment and installation.
- Lithium battery power supply, theoretical design average life of 5 years.
- Using the test function, the user can self-check the working status of the device.
- Support 1 switch alarm output.

## ▪ Specification

| Detector               |                               |
|------------------------|-------------------------------|
| Alarm Indicator Light  | Alarm, Communicate, Fault     |
| General                |                               |
| Quiescent Current      | ≤5μA                          |
| Working Principle      | Manual                        |
| Battery Life Span      | 5 years                       |
| Dimension (L × W × H)  | L 162 mm × W 112 mm × H 61 mm |
| Shell material         | ABS                           |
| Weight                 | 300 g                         |
| Working Temperature    | -10°C ~ 55°C                  |
| Working Humidity       | ≤95%RH                        |
| Installation           | Wall mounting                 |
| Alarm Current          | ≤75mA                         |
| Input Working Voltage  | DC 3V                         |
| Wireless Communication | LoRa,433MHz                   |

## ▪ Dimension



# See Far, Go Further



[www.hikvision.com](http://www.hikvision.com)  
[support@hikvision.com](mailto:support@hikvision.com)

